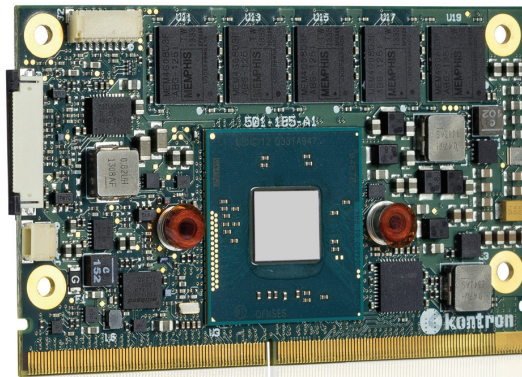


» SMARC-sXBTi «



First SMARC with Intel® Atom™ from Kontron!

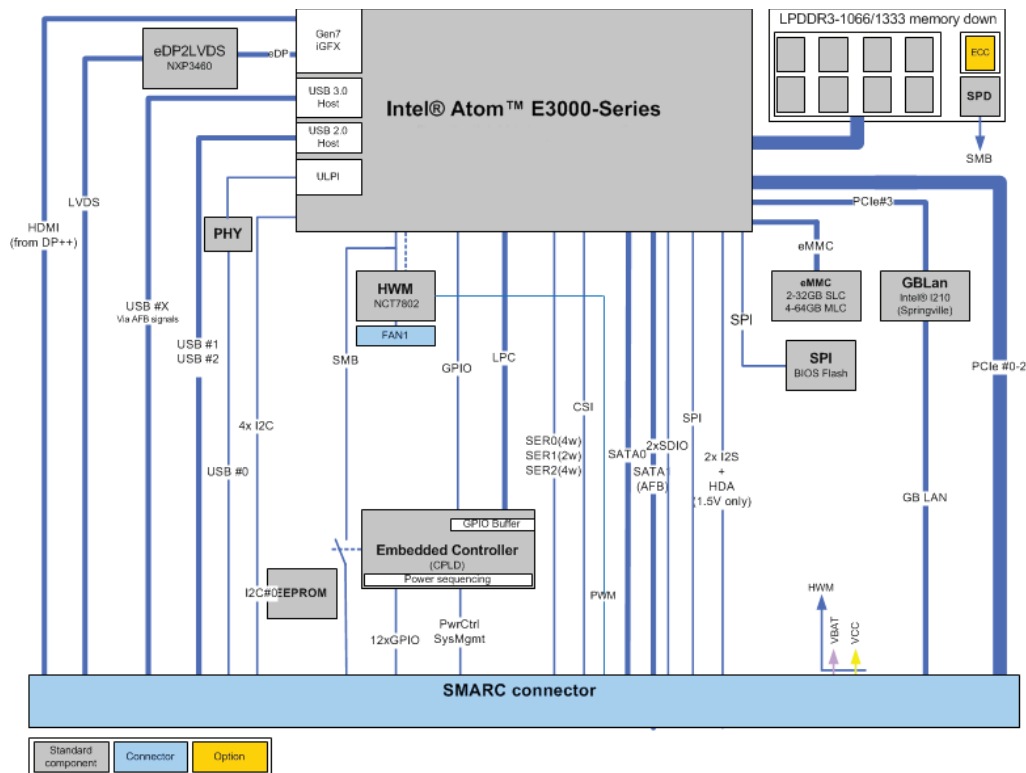
Intel® Atom™ E3800 Series

- » Up to 8GB LPDD3 Memory down (ECC optional)
- » 1x USB 3.0, 3x USB 2.0 (optional 1 OTG)
- » eMMC Flash, SDIO, 2x SATA
- » Industrial Grade Temperature

SMARC-sXBTi

Technical Information

Processor	Intel® Atom™ E3800 Series
Memory	DDR3L-1067/1333 (1.35V) up to 8GB (ECC optional)
Graphics	Intel® Gen 7 Graphics
Onboard SSD	2-32 GB eMMC (SLC), 4-64 GB eMMC (MLC)
Hard Disk	1x SATA 3Gb/s
USB	1x USB 3.0 (via AFB), 2x USB 2.0
PCI Express®	3x PCIe Gen 2.0 (5GT/s)
Ethernet	Intel® Springville I210 LAN
Display Interfaces	HDMI 1.4 up to 2560x1600@60Hz, Single channel LVDS 1x18/24bit 1366x768 (Optional: eDP to have higher resolutions available)
Operating systems	Win8, WE8S, Win7, WES7, WEC7, Linux, Android, VxWorks
Other Features	Onboard Fan (JST SH series 1mm pitch 3 pin connector), 3 UARTS, Watchdog, ACPI 5.0, 2x SDIO
Form Factor	82 x 50 mm - SMARC small size
Power Supply	3 - 5,25V
Temperature	Industrial grade -40°C to +85°C
Humidity	93% relative Humidity at 40°C, non-condensing (according to IEC 60068-2-78)



CORPORATE OFFICES

Europe, Middle East & Africa

Oskar-von-Miller-Str. 1
85386 Eching/Munich
Germany

Tel.: +49 8165 77 777
Fax: +49 8165 77 219
info@kontron.com

North America

14118 Stowe Drive
Poway, CA 92064-7147
USA

Tel.: +1 888 294 4558
Fax: +1 858 677 0898
info@us.kontron.com

Asia Pacific

17 Building, Block #1, ABP.
188 Southern West 4th Ring Road
Beijing 100070, P.R.China

Tel.: +86 10 63751188
Fax: +86 10 83682438
info@kontron.cn