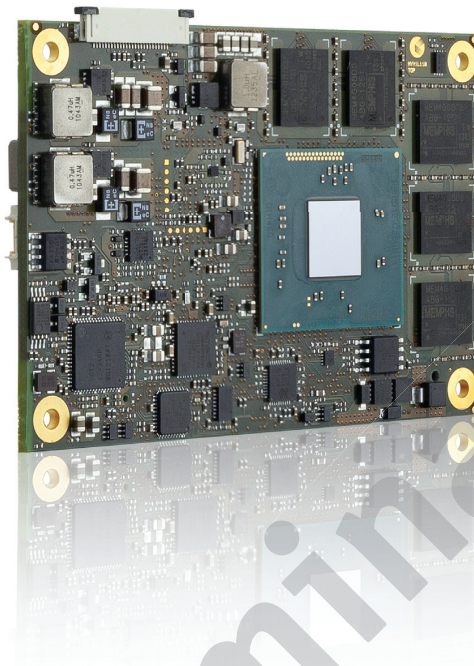


# » COMe-mBT10 «



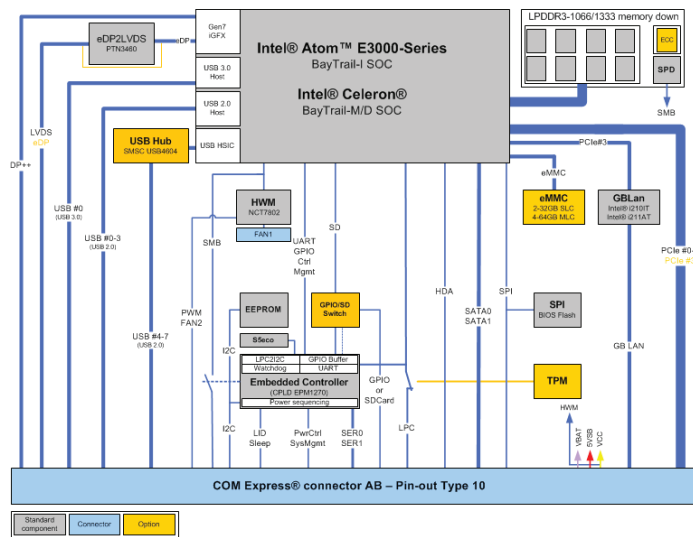
## Intel® BayTrail Atom™ /Celeron® Series

- » Bay Trail-I/M/D SoC (Valleyview)
- » Up to 8GB LPDDR3 memory down (ECC optional)
- » 8x USB 2.0, 1x USB 3.0

## COMe-mBT10

## Technical Information

<b>Processor</b>	<b>COMe-mBTi10 (BayTrail-I)</b> Atom™ E3845 (4x1.91GHz, 10W) Atom™ E3827 (2x1.75GHz, 8W) Atom™ E3826 (2x1.46GHz, 7W) Atom™ E3825 (2x1.33GHz, 6W) Atom™ E3815 (1x1.46GHz, 5W)	<b>COMe-mBTc10 (Baytrail-M/D)</b> Celeron® J1900 (4x2.00GHz, 10W) Celeron® N2920 (4x1.86GHz, 7.5W)
<b>Memory</b>	LPDDR3-1066/1333	
<b>Graphics</b>	Intel® HD Graphics (Gen7)	
<b>Onboard SSD</b>	2-64GB eMMC	
<b>Hard Disk</b>	2x SATA 3Gb/s	
<b>USB</b>	1x USB 3.0 (fully compatible to USB 2.0), up to 8x USB 2.0	
<b>PCI Express®</b>	3x PCIe x1 Gen 2.0 (optional: 4x PCIe x1 without LAN)	
<b>Ethernet</b>	10/100/1000 MBit	
<b>Ethernet Controller</b>	Intel® i210IT / i211AT	
<b>Audio Controller</b>	Intel® High Definition Audio	
<b>Display Interfaces</b>	1x DP++ (DP/HDMI/DVI) up to 2560x1600@60Hz 1x Single Channel LVDS 18/24bit with DPtoLVDS up to 1920x1200 (optional eDP)	
<b>Operating System</b>	Windows® 8, Windows® 7, Windows Embedded Standard 7 (WES7), Windows Embedded Compact 7 (WEC7), Linux, VxWorks	
<b>Security Features</b>	Atmel TPM 1.2 optional	
<b>Other Features</b>	POSCAP capacitors, ACPI 3.0, SPI, LPC, Dual Staged Watchdog, RTC, Fast I²C, 2x Serial Ports (RX/TX), S5 Eco, Smart Battery support, PICMG EAPI / KEAPI3 Support, SD Card (1x SDIO 3.0 shared with GPIO, COMe-mBTi10 only)	
<b>Form Factor</b>	COM Express® mini, pin-out Type 10, 55 x 84 mm	
<b>Power Supply</b>	4.75 - 20V Wide Range Power Supply	
<b>Temperature</b>	Industrial grade -40°C to 85°C	
<b>Humidity</b>	93% relative Humidity at 40°C, non-condensing (according to IEC 60068-2-78)	



## CORPORATE OFFICES

## Europe, Middle East &amp; Africa

Oskar-von-Miller-Str. 1  
85386 Eching / Munich  
Germany

Tel.: +49 8165 77 777  
Fax: +49 8165 77 219  
info@kontron.com

## North America

14118 Stowe Drive  
Poway, CA 92064-7147  
USA

Tel.: +1 888 294 4558  
Fax: +1 858 677 0898  
info@us.kontron.com

## Asia Pacific

17 Building, Block #1, ABP.  
188 Southern West 4th Ring Road  
Beijing 100070, P.R.China

Tel.: +86 10 63751188  
Fax: +86 10 83682438  
info@kontron.cn

