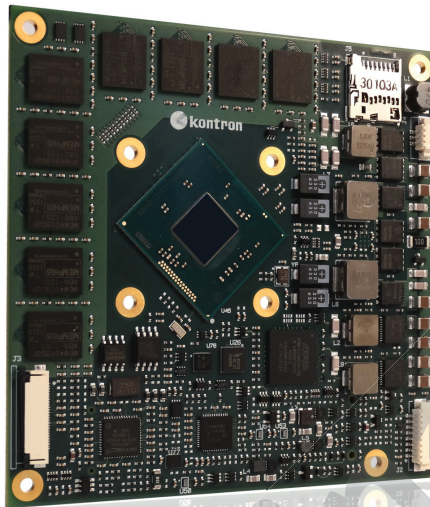


» COMe-cBTi6R «

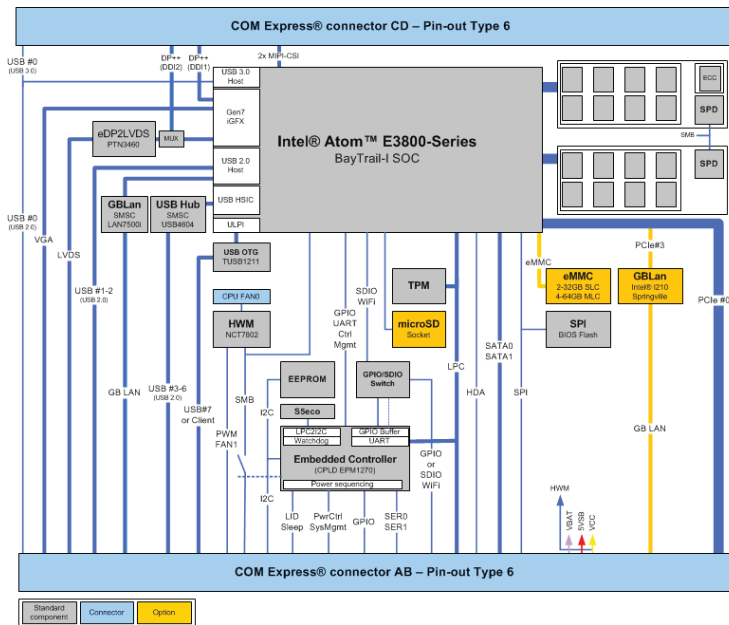


Intel® Bay Trail Atom™ Series

- » BayTrail-I SOC (Valleyview)
- » Memory down, 1 - 4GB ECC or 1 - 8 GB nECC (Dual Channel LPDDR3-1066/1333)
- » 2 independent display outputs
- » 1x USB 3.0, up to 8x USB 2.0

Technical Information

Processor	BayTrail-I Atom™ E3845 (4x1.91GHz, 10W) Atom™ E3827 (2x1.75GHz, 8W) Atom™ E3826 (2x1.46GHz, 7W) Atom™ E3825 (2x1.33GHz, 6W) Atom™ E3815 (1x1.46GHz, 5W)
Memory	Memory down, 1 - 4GB ECC or 1 - 8 GB nECC (Dual Channel LPDDR3-1066/1333)
Graphics	Intel® HD Graphics (Gen7)
Onboard SSD	2-64GB eMMC
Hard Disk	2x SATA 3Gb/s
USB	1x USB 3.0, 8x USB 2.0, 1x OTG (USB #7)
PCI Express®	4x PCIe x1 Gen 2.0 (optional: 3x PCIe with onboard PCIe GBE)
Ethernet	10/100/1000 MBit
Ethernet Controller	SMSC LAN7500i (Intel i210IT optional)
Audio Controller	Intel® High Definition Audio
Display Interfaces	2x DP++ (DP/HDMI/DVI; 1x muxed with LVDS) up to 2560x1600@60Hz, 2 independent display outputs, 1x LVDS DualChannel 18/24bit up to 1920x1200 with DPtoLVDS
Operating System	Windows® 8, Windows® 7, Windows Embedded Standard 7 (WES7), Windows Embedded Compact 7 (WEC7), Linux, VxWorks
Security Features	Atmel AT97SC3204; AES-NI optional
Other Features	ACPI 3.0, Dual Staged Watchdog, RTC, Fast I²C, S5 Eco, Smart Battery support, PICMG EAPI / KEAPI3 Support, 1x mSD Socket onboard (optional), 1x SDIO for WiFi shared with GPIO
Form Factor	COM Express® compact, pin-out Type 6, 95 x 95 mm
Power Supply	4.75 - 20V Wide Range Power Supply
Temperature	Industrial grade -40°C to 85°C
Humidity	93% relative Humidity at 40°C, non-condensing (according to IEC 60068-2-78)



CORPORATE OFFICES

Europe, Middle East & Africa

Oskar-von-Miller-Str. 1
85386 Eching / Munich
Germany
Tel.: +49 8165 77 777
Fax: +49 8165 77 219
info@kontron.com

North America

14118 Stowe Drive
Poway, CA 92064-7147
USA
Tel.: +1 888 294 4558
Fax: +1 858 677 0898
info@us.kontron.com

Asia Pacific

17 Building, Block #1, ABP.
188 Southern West 4th Ring Road
Beijing 100070, P.R.China
Tel.: +86 10 63751188
Fax: +86 10 83682438
info@kontron.cn

Datasheet - Title #11192013WHH
 All data is for information purposes only and not guaranteed for legal purposes. Subject to change without notice. Information in this datasheet has been carefully checked and is believed to be accurate; however, no responsibility is assumed for inaccuracies. All brand or product names are trademarks or registered trademarks of their respective owners.