

GIGATEST LABS MICROWAVE PROBES

High-performance 40 GHz microwave probes
For more than 20 years, GigaTest Labs has developed sophisticated tools to measure high speed digital interconnects. Now, we have applied that experience to develop durable and rugged microwave probes for the most difficult signal integrity measurement tasks.



GTL40

Durable, High-Performance Microwave Probes

FEATURES

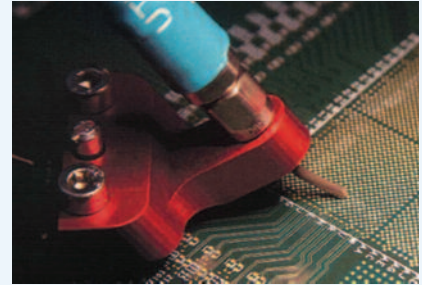
- High-performance microwave probes
- Durable probe tips
- Excellent visibility for accurate probe placement
- Deep access probe design
- Easy connector interface

ADVANTAGES

- Compliant probe tips ensure long-life span
- Allows probing on populated boards
- Probe connector design simplifies cable routing

Gigatest Labs developed the GTL40 Series microwave probes to solve the recurring problem engineers experience with probe tip breakage when contacting non-planar surfaces.

The GTL40 Series probes are the result of hundreds of hours of lab measurements. The rugged probe tips ensure contact-compliance with PCBs, BGAs, sockets, backplanes, high-density interconnects, and cable assemblies.



In addition, the deep-access probe gives engineers the ability to probe populated boards.

The optimized design of the GTL40 Series probes provides durability, contact-compliance, and long-life span, for day-to-day engineering measurement tasks.

GTL40 SERIES MICROWAVE PROBES

GS/SG	GSG
GTL40-[PPPP]-SG-DX GTL40-[PPPP]-GS-DX	GTL40-[PPPP]-GSG-DX
<p>NOTE: Specify one of the following standard probe pitches for [PPPP] above: 150, 200, 250, 300, 350, 400, 450, 500, 600, 750, 1000</p>	
Use GTL-1011 Calibration Substrate	Use GTL-1005 Calibration Substrate

ELECTRICAL CHARACTERISTICS (TYPICAL)

Characteristic Impedance:

50 Ohms nominal

Frequency Range:

DC to 40 GHz

Return Loss:

-15 dB

Insertion Loss:

1.5 dB

MECHANICAL CHARACTERISTICS:

Standard Pitches:

150 μ , 200 μ , 250 μ

300 μ , 350 μ , 400 μ

450 μ , 500 μ , 600 μ

750 μ , 1000 μ

Standard Configurations:

GS / SG / GSG

Connector type:

40 GHz – 2.92mm female

Maximum connector torque:

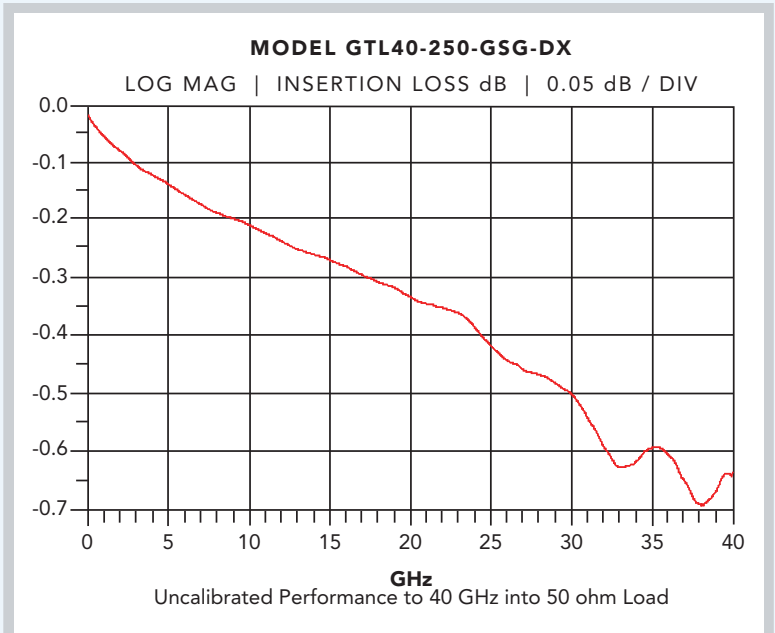
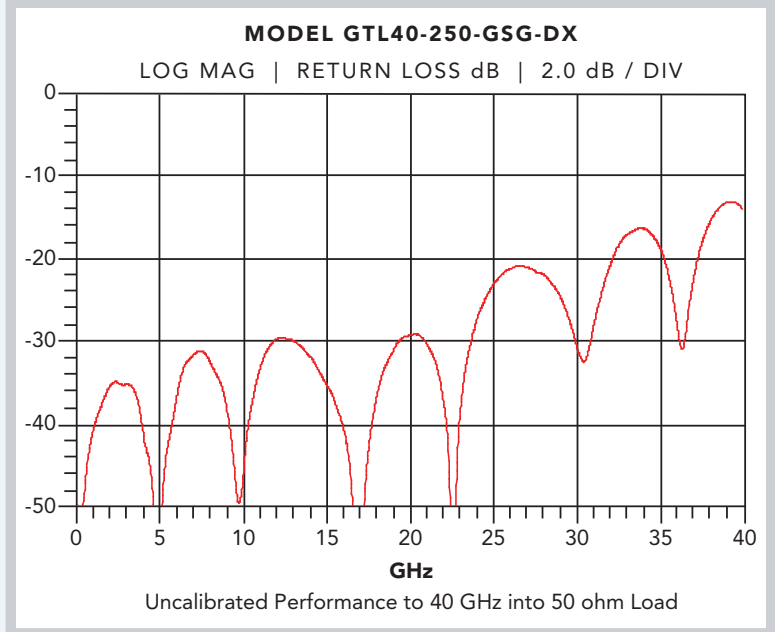
10 inch-lbs

Center contact:

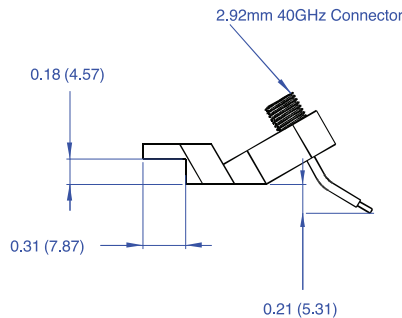
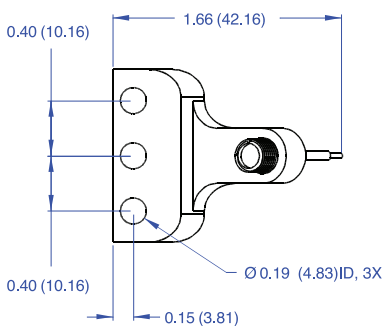
gold plated

Outer contact:

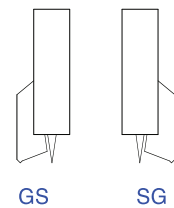
gold plated



DX Style



PROBE TIP CONFIGURATION



GS

SG

GTL40 SERIES

Microwave Probes for Precision Engineering Measurement Applications

M I C R O W A V E P R O B E S

Founded in 1989, GigaTest Labs specializes in the measurement and model development of high speed digital interconnects and develops high-performance measurement tools to accomplish these complex tasks. GigaTest Labs staff includes some of the most respected professionals in high frequency and signal integrity engineering.

TO LEARN MORE ABOUT THE UNIQUE ADVANTAGES OF THE
GTL40 SERIES MICROWAVE PROBES, CALL OR WRITE TODAY

Harry Christie, VP Sales

408.524.2700 | harry@gigatest.com



GigaTest Labs, Inc., 760 Palomar Avenue, Sunnyvale, CA 94085
TEL: 408.524.2700 | FAX: 408.524.2777 | www.gigatest.com